

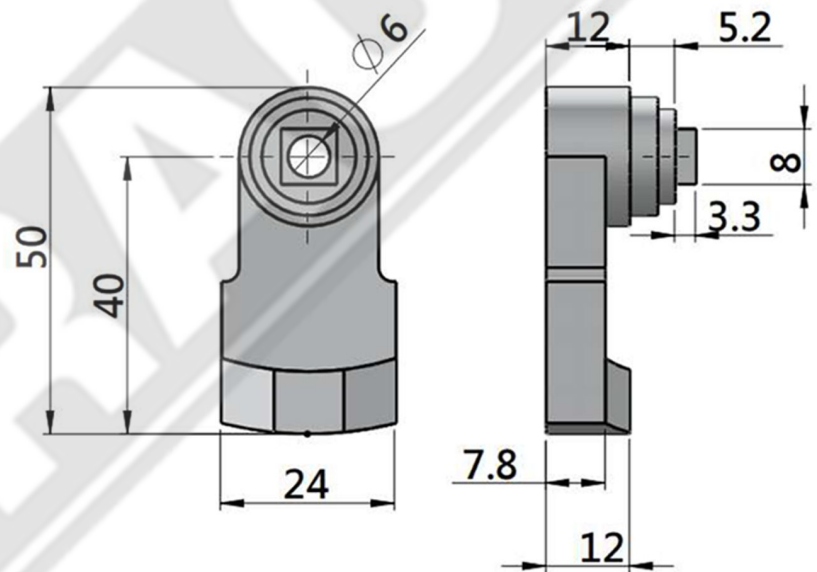
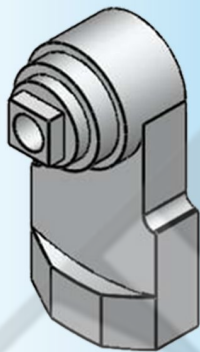
For Product Step File or 3D Model Send a Request Mail To [info@nrack.com](mailto:info@nrack.com)

Photo View



3-Point Lock Small Cam

3D Rendered View



SHF - 05

- Material: Zinc Die Casting-Body,
- Finish: Zinc Blue Plating/Sand Blasting